



Ripple Maker II

- User Guide -

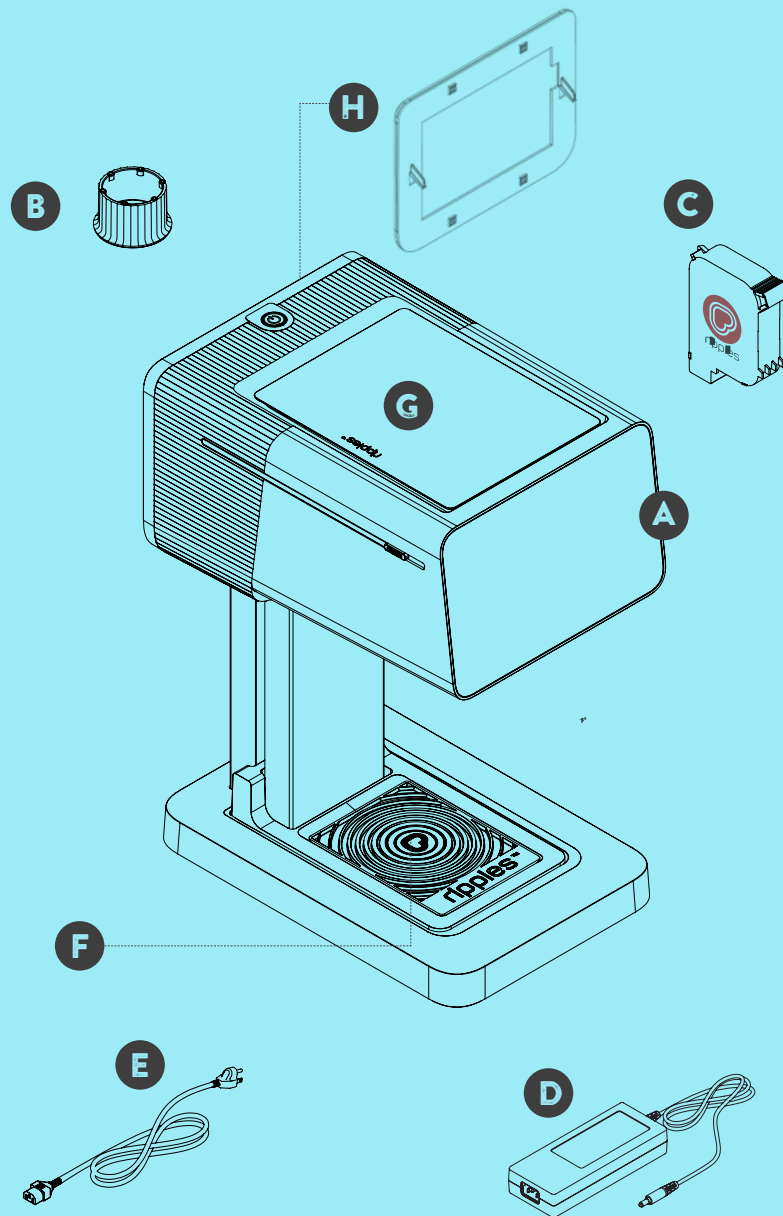


01 Box CONTENTS

This section lists the items that are in the Ripple Maker II package. Check carefully to make sure you have all items on the list.

- A** Ripple Maker II
- B** Drip Tray
- C** Ripples Pod
- D** Power Supply
- E** AC Cord
- F** Mat
- G** Top Cover
- H** Back Panel

WATCH HOW TO GET STARTED
WITH RIPPLE MAKER II



02 Ripple Maker II SET-UP

This section includes information about:

- Where to place the Ripple Maker II in your facility
- Connecting your Ripple Maker II to power
- Connecting to the internet
- Preparing for your first print

2.1 Placement in Your Facility

When searching for a suitable location for the Ripple Maker II in your facility, use the following guidelines:

- Place the Ripple Maker II in accordance with the safety instructions.
- Install close to an electrical outlet.
- Ensure the Ripple Maker II is on a level surface.
- Position the Ripple Maker II in a convenient location for the bartender / barista, keeping in mind the work flow of the bartender / barista and other users.
- Make sure the Ripple Maker II is placed next to an Ethernet outlet or where there is good Wi-Fi signal.

WATCH THE
UNBOXING VIDEO



2.2 Power & Internet Connection

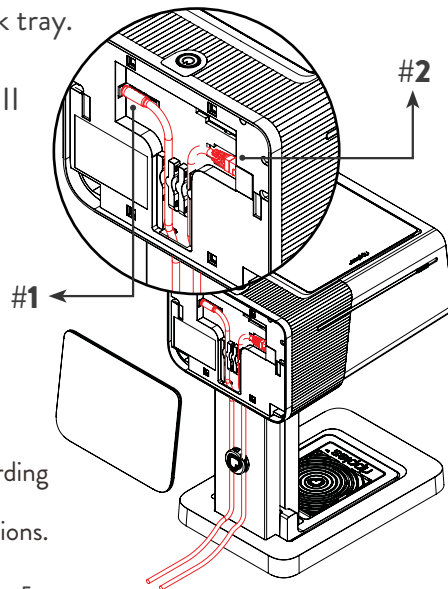
1. Connect the AC cord to the power supply, route the other end of the power supply into the power input located at the back of the Ripple Maker II and the other end to the electrical outlet.

2. The Ripple Maker II needs an internet connection in order to get the full functionality; There are 2 options - either plug in the LAN cable to machine or use the Ripple Maker II embedded Wifi.

3. Route the power supply cable and LAN through the cable holder.

4. Place the mat on the drink tray.

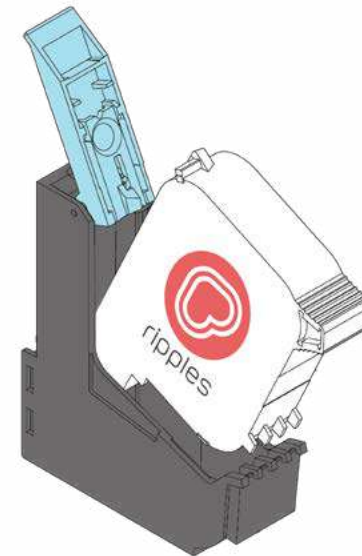
5. Turn on the Ripple Maker II using the power button and follow the onscreen steps.



Follow safety instructions regarding the AC connection.
See Ripple Maker II safety instructions.

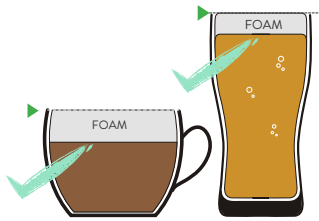
2.3 Pod Installation

- Tap Menu --> Maintenance --> Pod replacement and follow onscreen wizard
- When replacing it gently slide the pod into the correct position without force. When removing the pod wiggle gently to slide it out.



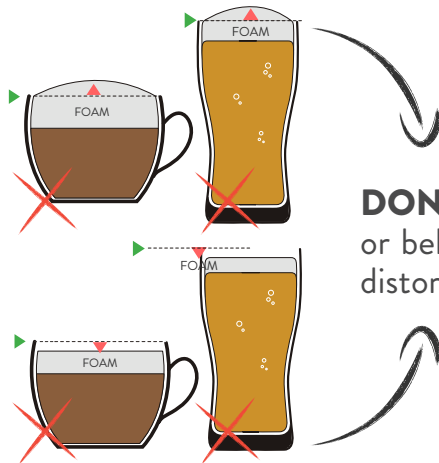
03 Beverage PREPARATION

Beverage



DO pour foam directly up to the cup rim.

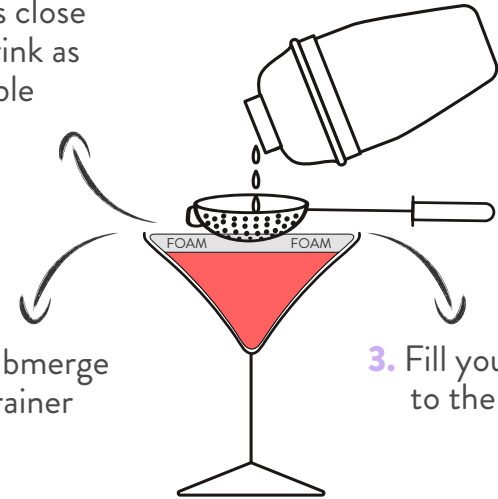
DO tap out any remaining bubbles to ensure a smooth canvas.



DON'T pour foam above or below cup rim as this will distort design.

3.1 Do's & Don'ts | Cocktails

1. Pour as close to the drink as possible



2. Submerge strainer

3. Fill your glass to the rim

X2

Double strain to create a silky surface with microbubbles

04 Your FIRST PRINT

1. Place a frothy drink on tray
2. Choose a design from:

A

Ripple Maker
onscreen gallery

B

The Ripples Web App ;
scan the QR Code



C

The Ripples App
"Drink Ripples"



3. From your Ripple Maker II screen, select Gallery or Mobile - Tap the design to print
4. Long tap to change the default design setting (size, add to favorites, tags etc.)



05 Managing YOUR CONTENT

Your Ripple Maker II includes dynamic content channels provided by Ripples™. Using the Ripples Cloud you can control the content that appears on your Ripple Maker II and in the Ripples App. Here's how:

1. Login to Ripples cloud “my.drinkripples.com” on your mobile device or PC.
2. On your mobile device, follow the onscreen wizards to search,add, delete desgins.
3. Advanced content management via PC:
 - Under Devices click Ripple Maker II. There you can select the location you wish to manage.
 - Channels help you organize and control your custom content. Feel free to make as many as you'd like. Click on “Create Channel” and choose a name.
 - Hover over the channel with your mouse and click on the pencil icon to edit. Click “START BY ASSIGNING RIPPLES” or click “upload Ripples” (the monitor icon in the top right corner).

- Select your desired images and click “Upload All”, then choose the dates you want your Ripples designs to appear. We recommend using the following image properties:

- Grayscale
- JPEG or PNG
- 1700 x 1700 Pixels
- 8 bit
- High contrast images with bold lines

- You can assign the channels to the Ripples App under “DEVICES / Mobile”. Choose your desired location and click “SELECT CHANNEL” or “CREATE CHANNEL”.

*The content you have uploaded will be synced to your devices in a few short minutes.

06 Ripples MAINTENANCE

6.1 Daily Maintenance

Tap Menu > Maintenance > Daily Maintenance & follow onscreen wizard



Clean the drip tray twice a day.



Rinse the drip tray with water.



Clean the drink tray once a day.



Wipe down the surface areas to keep your device lookin' good.



Make sure you have a good internet connection



Keep the Ripple Maker II switched on at all times.

6.2 Content Sync



Tap:
Menu > Settings >
Content > Click Sync

6.3 Connectivity Troubleshooting

WIFI



Connected



Connected
without internet

ETHERNET



Connected



Connected
without internet

GENERIC



No connection



6.4 Pod Care

Important Care Tips for the Ripples Pod

- Keep away from heat sources
- Store in a cool dark place like a drawer or cupboard
- Do not touch pod nozzles
- Use within 1 month of opening
- On average, a pod can generate 500-1200 prints, depending on print contrast and size of image
- To maintain the pod's maximum utilization, keep the pod in the Ripple Maker II and device powered on
- Gently wiggle pod in and out of holder when replacing
- Remove pod and clean the drip tray before transporting the Ripple Maker II
- Use printer paper for the print quality wizard



6.5 Print Quality Troubleshooting



If the print quality is poor, please try the following:

1. Tap Menu > Maintenance > Print Quality and follow onscreen wizard.
2. Part of the print quality wizard steps is to soak the tip of the nozzle in hot water for 30 seconds.
3. Dry pod off.
4. Reinsert the pod and continue the onscreen wizard.



07 Customer SUPPORT

Contact means	Contact information
Website	www.drinkripples.com
Email	support@drinkripples.com
Support site	support.drinkripples.com



CONTACT US VIA
LINE



CONTACT US VIA
WHATSAPP

Find the complete list of tutorials on our support site or search “Drink Ripples” on Youtube:

- Unboxing
- Maintenance
- Ripples Cloud
- Best practices + case studies
- Ripples Webapp



Europe . Middle East

Armenia

+55 800 8925073

Austria

+43 720 116113

Belarus

+55 800 8925071

France

+33 6 44 64 31 13 (Also via SMS)

Georgia

+55 800 8925074

Germany

+49 32 211 001830

Greece

+30 231 118 1918

Israel

+972 52 543 9089 (Also via SMS)

Kazakhstan

+55 800 8925072

Netherlands

+31 70 700 7708

Romania

+40 31 630 0567

Russia

+7 915 294 11 85

United Kingdom

+44 7480 488599 (Also via SMS)

Ukraine

+55 800 8925070

Uzbekistan

+55 800 8925075

Americas

Argentina

+54 800 345 1380

USA & Canada

+1 866 866 8288 (Also Via SMS)

Asia-Pacific-Japan

Australia

+61 488 842 542 (also via SMS)

China

+86 400 88 46433 (Kampery)

Info@Kampery.com.hk

+86 400 678 9036 (Milan Gold)

Order@Milangod.com.cn"

Hong Kong

+852 3181 4488 (Kampery)

Info@Kampery.com.hk

India

+91-781-382-830 (Kaapi)

support@kaapimachines.com

Japan

+81-50-3161-2666

+81-50-3161-2288 (Suntory)

awa-art@ts-s.co.jp

Singapore

+65 3138 5449

South Korea

+82 2 586 1514

Taiwan

+886 2 27922788 (Unitech)

Ramonyen@Unitech-E.com.tw"

World Wide

www.drinkripples.com

Phone: +1 866 866 8288

Mail: Support@drinkripples.com

WhatsApp +1 866 866 8288

SMS +1 866 866 8288

Chat: support.drinkripples.com

Instagram "@drinkripples"

Facebook "Ripples"

YouTube "Ripples"

LinkedIn "Ripples"

Line "Ripples"

08 Safety

WARNINGS

Read all the instructions before using the Ripple Maker II to avoid electric shock, injury to persons, risk of fire, and damage to the Ripple Maker II.

Symbol / Description



Warning:

Indicates actions or situations that could cause electric shock, fire, injury or damage to the Ripple Maker II.



Caution:

Indicates actions or situations that could cause damage to the Ripple Maker II or its operator.

8.1 Warning & Cautions

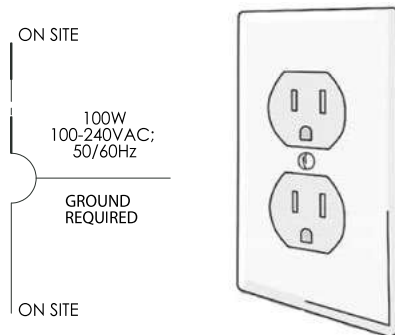
1. Do not place the Ripple Maker II, its cord or plug, in water or other liquids. The Ripple Maker II is water-resistant only.
2. Do not handle the cord or plug with wet hands.
3. Do not use a damaged power cord.
Use only the approved power source (120/240 VAC).
If the cord is damaged, it must be replaced by a specific cord available from Ripples or its service agent.
4. Keep the Ripple Maker II away from extreme temperatures and do not place in direct sunlight, heat trap halls, other hot appliances, in any location exposed to extremely high or low temperatures, high humidity, or dusty locations.
5. The Ripple Maker II contains moving parts. Avoid placing body parts close to printing areas to avoid injury.
6. If you need to clean the Ripple Maker II from inside, always turn off and unplug it from the wall.
7. Do not operate the Ripple Maker II if its cord or plug are damaged or if the Ripple Maker II is malfunctioning, call customer support.
8. Use only water and damp cloth for cleaning purposes.
Not doing so may cause injury, fire, electric shock or damage to the Ripple Maker II and will void the warranty.
9. Keep your hair and jewelry away from the Ripple Maker II.
10. In case of an emergency, unplug the Ripple Maker II from electrical outlet.
11. Keep fingers away during operation, keep the top cover - pinching possible.

8.2 Genral Product Safety

- Always hold the plug when removing the power cord from or inserting it into the outlet.
- Do not pull on the cord when removing it from the electrical socket to avoid damage.
- Do not use the included AC cord for other products.
- Do not use a damaged power cord. Use only the approved power source (120/240 VAC).
- Unplug the power cord immediately and stop using the Ripple Maker II if you notice any abnormal odor, heat, discoloration, deformation or anything unusual while the Ripple Maker II is in use or standby.
- Do not remove the power cord from nor insert it into the electrical outlet with wet hands.
- Be sure to disconnect the Ripple Maker II from the power source outlet and remove the Ripples Pod when not using for any extended period of time.
- Place the Ripple Maker II near a standard electrical outlet that is easily accessible.
- If water, metallic substance or any foreign object enters into the Ripple Maker II, disconnect the Ripple Maker II from the power source, and contact customer support.
- When using the Ripple Maker II, place it on a stable, level surface, desk, bar, or table.
- Do not place any heavy objects on top of the Ripple Maker II.
- Use only genuine Ripples accessories and supplies. Do not use any unauthorized accessories or supplies.
Do not use the Ripple Maker II with a foreign object in it.
- Do not disassemble the Ripple Maker II.
- For inspection, adjustment, and repair of the Ripple Maker II, contact customer support.
- Remove all dust/dirt from the Ripple Maker II before use.
- Do not insert any objects into or block the output, USB port or the Ethernet port.
- Do not apply excessive pressure to the Ripple Maker II or supplies.
- This equipment should not be used by children. Children should be supervised to ensure that they do not play with the appliance.

8.3 Cautions

1. The Ripple Maker II is designed to print on foam and food surfaces only, do not use the device for any other purpose.
2. The manufacturer will not be responsible for misuse or mistreatment of the device.
3. The use of cartridges other than those originally provided by Ripples is forbidden this may damage the Ripple Maker II, and will void the warranty and the food safety certification.
4. To avoid ESD effects a wall electrical socket must have a grounding pin. Grounding shall be connected to the Ripple Maker II AC cord.



The complete Terms & Conditions can be found at www.drinkripples.com website.



8.4 Technical Specification

Environmental specifications:	Operating environment	Operating temperature: 10° to 40° C
		Recommended relative humidity: 25% to 75% noncondensing
		Recommended operating conditions: 15° to 32° C
	Storage environment	Storage temperature: -30°C to 70°C
Storage relative humidity: Up to 90% noncondensing at a temperature of 65° C		
Electrical specifications	Power supply	Universal power adapter (external)
	Power requirements	Input voltage: 100 to 240 VAC (± 10%), 50 to 60 Hz (± 3Hz)
		Output voltage: 12Vdc, 5A.
	Maximum power consumption	60 Watt
Sleep mode consumption	< 5 Watt	
Acoustic emission specifications	Sound pressure (bystander position)	LpAd 55 (dBA)
	Sound power	LwAd 6.7 (BA)
Physical specifications	Width	220mm / 8.7in
	Depth	327mm / 12.9in
	Height	439mm / 17.3in
	Weight	10.5kg / 23.2lbs
Beverage	Cup Height	50-225 mm / 1.97-8.86 in
	Cup diameter	50-100 mm / 1.97-3.94 in



ripples™

Love
At First
Sip