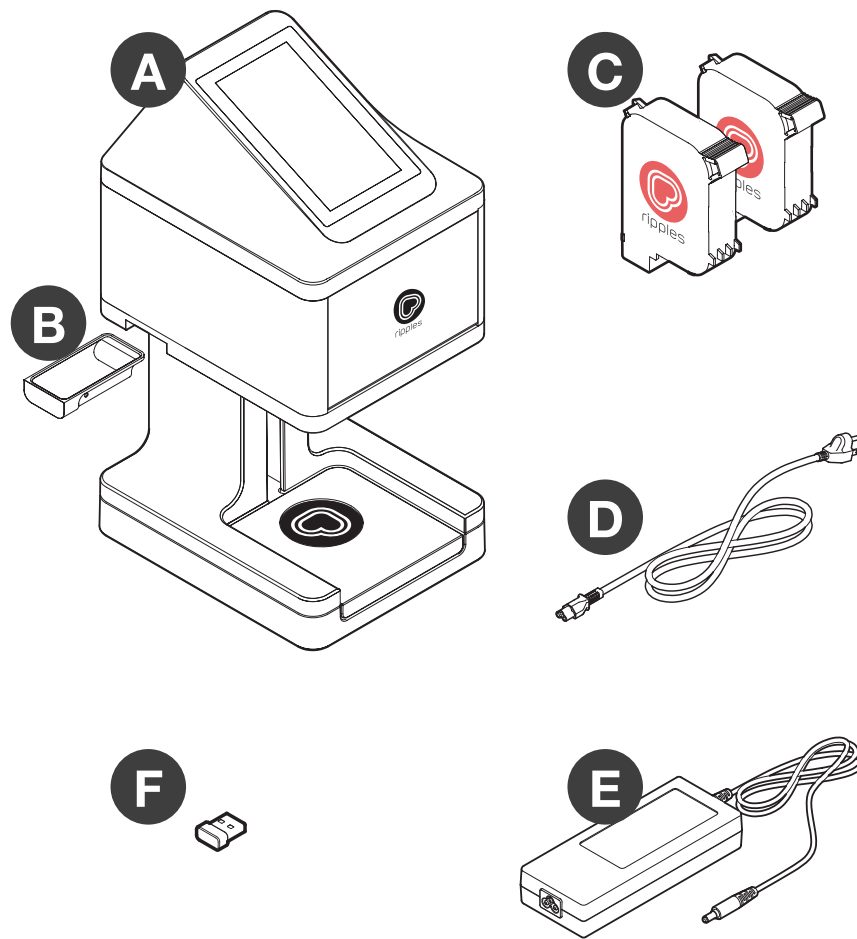


01 Contents of the Box

This section lists the items that are in the Ripple Maker package. Check carefully to make sure you have all items on the list.

- A** 1 Ripple Maker
- B** Drip Tray
- C** 2 Pods
- D** 1 Power Cord
- E** 1 AC adaptor
- F** 1 Wi-Fi Dongle



02 Setting Up the Ripple Maker

Thank you for purchasing the Ripple Maker! Now you can print any text, design or even photograph on top of every latte and cappuccino for the enjoyment of your customers.

This section includes information about:

- Where to place the Ripple Maker in your shop
- Connecting to AC power
- Inserting the Wi-Fi dongle or Ethernet cable
- How to navigate the user interface

2.1 Placement in the Shop

When searching for a suitable location for the Ripple Maker in your shop, use the following guidelines:

- Place the Ripple Maker in accordance with the safety instructions.
- Install close to an electrical outlet.
- Place the Ripple Maker on a level surface.
- Position the Ripple Maker in a convenient location for the barista, keeping in mind the work flow of the barista and other users.
- Make sure the Ripple Maker is placed next to an Ethernet outlet or where there is good Wi-Fi signal.
- Ensure that the front of the Ripple Maker is facing the barista.



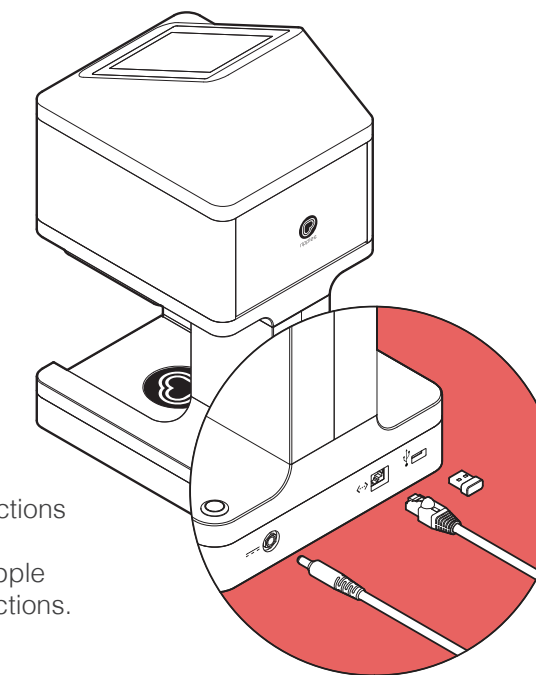
Be sure that the Ripple Maker is placed on a stable and strong enough surface to support the Ripple Maker.

2.2 Power and Internet Connection

1. Connect the power cord to the power input located at the back of the Ripple Maker. Plug the other end into the wall outlet.
2. Unbox the Wi-Fi dongle and insert it in to the USB port at the bottom of the Ripple Maker or connect an Ethernet cable to the Ripple Maker.



Follow safety instructions regarding the AC connection. See Ripple Maker safety instructions.



03 Setting Up the Content Library

The Content Library contains all of the Ripples that you can print. This section explains how to edit your Content Library using the web app.

3.1 Choosing content from the app.coffeeripples.com website

Your content library already contains the basic themes and Ripples provided by Steam CC. You can also download more Ripples and create your own.

1. To choose or create additional designs to use with the Ripple Maker, go to the app.coffeeripples.com website.
2. Log in using your email and password, if you don't know your account details please contact your system admin or your local manager.
3. On the side menu select "Ripples" and hit "New Ripple" on the right upper corner of the screen.

4. Now you can add any image you like by clicking the "Add image" button.

We recommend using the following image properties:

- A. Gray Scale.
- B. JPEG or PNG.
- C. 600 Dpi resolution.
- D. 1700 x 1700 Pixels
- E. 7.2 cm Diameter.
- F. 8 bit.
- G. High contrast images with bold lines.

5. Choose a name for your Ripple and hit "Create" on the bottom right side of the screen.

6. Now that you have created a new draft Ripple you need to submit it to your personal theme. Under "Drafted Ripples" find your newly created Ripple, hover with the pointer over the Ripple image and click the "Setting" icon, then "Submit Ripple" and finally "Submit".

7. Your new Ripple is created and will be synced to your Ripple Maker's content library in a few short minutes.



Any rejected Ripple will stay under "Rejected Ripples" until it's deleted.

04 Customer Support

To contact Support:

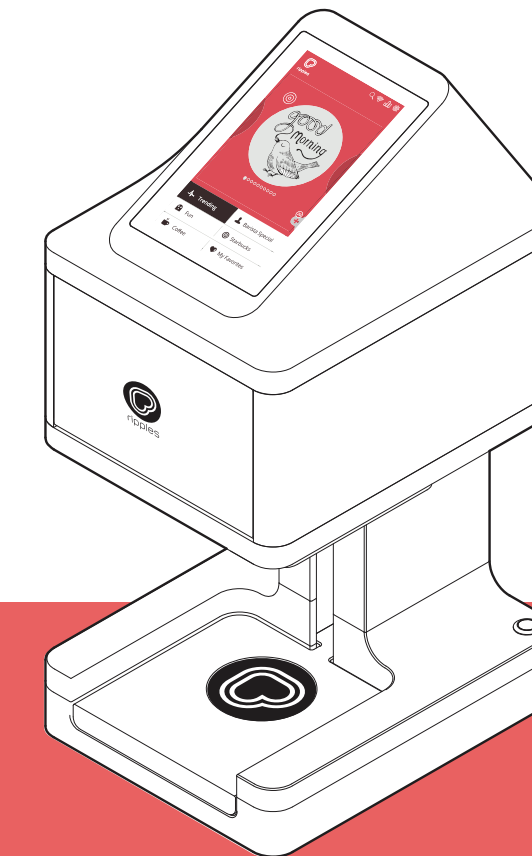
Contact means	Contact information
Telephone	ISR: +972-03-7795020
	US: 1-866-477-0775
Web site	coffeeripples.com
Email	support@steamcc.com

For the complete Instructions Manual, Including User Interface, Log on to: app.coffeeripples.com and visit our support site.



Thankyou

Instruction Manual Version v2.0
June 24, 2017
© Copyright 2017 Steam CC Ltd. All rights reserved



The Ripple Maker Instruction Manual